



Benefits

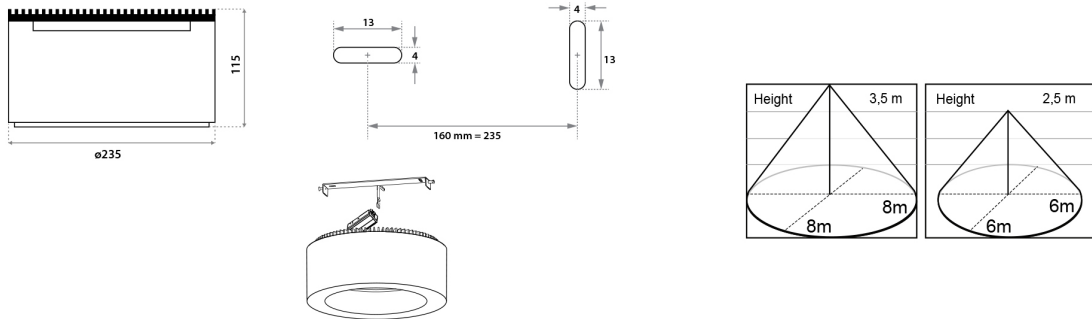
- + Matt Black (RAL9005) body available on request.
- + Optional DALI, 0-10V or EOS dimmable driver
- + Made in the Netherlands
- + 7 year warranty

Features

Colour	Matte white RAL 9016
Power supply	TCl driver integrated
Maximum driver current	500 mA
Forward voltage	36 V
Input voltage	110 - 240 Vac on TCl driver
Frequency	50 - 60 Hz
Input power	18 Watt
Lumen output	up to 2500 lm
Efficacy	up to 139 lm/W
Colour temperature (CCT)	3000 4000 K
Colour rendering index (CRI)	82
Colour Consistency (SDMC)	MacAdam step 3
Beam angle	80 °
Unified Glare Rating (UGR)	24
Dimensions	115 x Ø235 mm
Housing	Diecast Aluminium
Ingress protection	IP20
Impact protection	IK03
IEC safety class	II
Power factor	0.95
Ripple	<3 %
Inrush current	5A 50µs
B-16A fuse	50
Operating temperature	-20°C - +45°C
Rated life (L80B50)	60.500 hours



Dimensions



Ordering information

Name	SKU	Colour	Beam Angle	Power	Lumen	Efficacy	CCT	CRI
Circular 235. White. 3000K. 80°	20824	Matte white RAL 9016	80 °	18 W	2250 lm	125 lm/W	3000 K	82
Circular 235. White. 4000K. 80°	20825	Matte white RAL 9016	80 °	18 W	2500 lm	139 lm/W	4000 K	82

Compliances

EN60598

General requirements for luminaires

EN62031

General and safety requirements for light-emitting diode (LED) modules

EN62471

Standard for Photobiological safety of lamps and lamp systems

EN55015

Limits and methods of measurement of radio disturbance characteristics of electrical lighting and similar equipment