

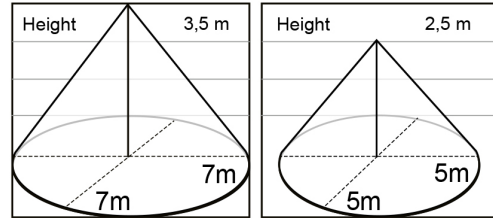
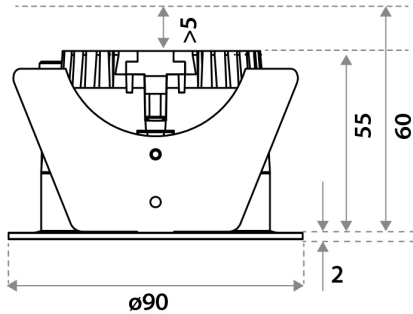
**Benefits**

- + Matt Black (RAL9005) body available on request.
- + Sensor luminaires turn on for 4 minutes after detecting movement.
- + When installed in a closed ceiling, it may be exposed to water splashes (IP44Front).
- + Connection box 3P included; Possibility for looping by 2 cables max. Ø 10mm (H03/H05).
- + 7 year warranty.

Features

Colour	Matte white RAL 9016
Input voltage	220 - 240 Vac
Frequency	50 - 60 Hz
Input power	15 Watt
Lumen output	600 lm
Efficacy	40 lm/W
Colour temperature (CCT)	3000 4000 K
Colour rendering index (CRI)	83
Colour Consistency (SDMC)	MacAdam step 3
Beam angle	80 °
Unified Glare Rating (UGR)	26
Dimensions	55 x Ø90 mm
Housing	Diecast Aluminium
Ingress protection	IP20
Impact protection	IK03
IEC safety class	II
Power factor	0.99
Operating temperature	-20°C - +30°C
Rated life (L80B50)	54.000 hours

Dimensions



Ordering information

Name	SKU	Colour	Beam Angle	Power	Lumen	Efficacy	CCT	CRI
Downlight 75 Re-Action. White. 3000K. 80°	20822	Matte white RAL 9016	80 °	15 W	600 lm	40 lm/W	3000 K	83
Downlight 75 Re-Action. White. 4000K. 80°	20823	Matte white RAL 9016	80 °	15 W	600 lm	40 lm/W	4000 K	83

Compliances

EN60598

General requirements for luminaires

EN62031

General and safety requirements for light-emitting diode (LED) modules

EN62471

Standard for Photobiological safety of lamps and lamp systems

EN55015

Limits and methods of measurement of radio disturbance characteristics of electrical lighting and similar equipment