

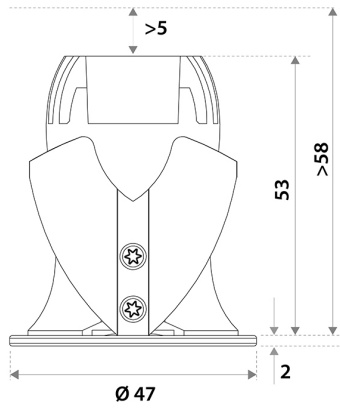
**Benefits**

- + Perfectly suitable for environments where a true colour is vital (CRI up to 85)
- + Warranty 7 years
- + Incl. TCI driver
- + Waterproof front
- + Passive heat sink, no moving parts
- + White diffuser when light is off

Features

Productgroup	Focal 40
Power supply	TCI driver integrated
Input voltage	110 - 240 Vac on TCI driver
Frequency	50 - 60 Hz
Input power	6.6 Watt
Colour rendering index (CRI)	85
Colour Consistency (SDMC)	MacAdam step 3
Beam angle	60 °
Housing	Diecast Aluminium
Ingress protection	IP20 / IP40
Impact protection	IK10
IEC safety class	2
Power factor	0.6
Inrush current	20A 170µS
B-16A fuse	50
Operating temperature	-20°C / +45°C
Rated life (L80B50)	43,000 hours

Dimensions



Ordering information

Name	SKU	Colour	Beam Angle	Power	Lumen	Efficacy	CCT	CRI
Focal 40 Matte black RAL 9005								
Focal 40. 2700k. 60°. 7W. 350Lm. CRI85. Black. no dim	18303	Matte black RAL 9005	80 °	6.6 W	400 lm	61 lm/W	2700 K	83
Focal 40. 3000k. 60°. 7W. 375Lm. CRI85. Black. no dim	18305	Matte black RAL 9005	80 °	6.6 W	425 lm	64 lm/W	3000 K	83
Focal 40. 4000k. 60°. 7W. 400Lm. CRI85. Black. no dim	18307	Matte black RAL 9005	80 °	6.6 W	450 lm	68 lm/W	4000 K	83
Focal 40 Matte white RAL 9016								
Focal 40. 2700k. 60°. 7W. 350Lm. CRI85. White. no dim	18302	Matte white RAL 9016	80 °	6.6 W	400 lm	61 lm/W	2700 K	83
Focal 40. 3000k. 60°. 7W. 375Lm. CRI85. White. no dim	18304	Matte white RAL 9016	80 °	6.6 W	425 lm	64 lm/W	3000 K	83
Focal 40. 4000k. 60°. 7W. 400Lm. CRI85. White. no dim	18306	Matte white RAL 9016	80 °	6.6 W	450 lm	68 lm/W	4000 K	83

Compliances

IEC 60598

IEC 62031

IEC 62471

EN 55015

General requirements for luminaires

LED modules for general lighting - Safety specifications

Photobiological safety of lamps and lamp systems

Limits and Methods of measurement of radio disturbance characteristics of electrical lighting and similar equipment